

# 2CDX(L)

## DUAL IMPELLER CENTRIFUGAL ELECTRIC PUMPS

in AISI 304 and AISI 316



Dual impeller centrifugal electric pumps with hydraulic parts in AISI 304 and AISI 316.

### APPLICATIONS

- Domestic pressure boosting
- Small-scale garden irrigation
- Washing
- Treating water
- Cooling towers
- Pumping clean water in general

### TECHNICAL DETAILS

- Sturdy structure
- Small dimensions

### PUMP TECHNICAL DATA

- Maximum working pressure: 8 bar
- Maximum temperature of the liquid:
  - 5°C ÷ +60°C 2CDX(L) for E, Q1AEGG, VAEGG, U3U3EGG, Q1U3EGG and U3CEGG versions
  - 5°C ÷ +110° for H-HS-HW-HSW versions
- G1½ suction connection for 2CDX(L) 200, G1¼ for the rest of the range
- G1 discharge connection

### MOTOR TECHNICAL DATA

- High efficiency IE2 motors starting from 0.75kW up to 5.5kW  
IE3 starting from 0.75kW
- Self-ventilated 2 pole asynchronous motor
- Class of insulation F
- IP55 protection degree
- 230V ±10% 50Hz single phase voltage,  
230/400V ±10% 50Hz three phase voltage
- Permanent capacitor inserted and thermo-ampereometric protection with automatic rearm incorporated for the single phase motor
- Protection under user's responsibility for the three phase version

### MATERIALS

#### AISI 304 Version

- Pump casing, impeller, shaft, diffuser and seal housing disc in EN 1.4301 (AISI 304)

#### AISI 316 (L) Version

- Pump casing, impeller, shaft, diffuser and seal housing disc in AISI 316

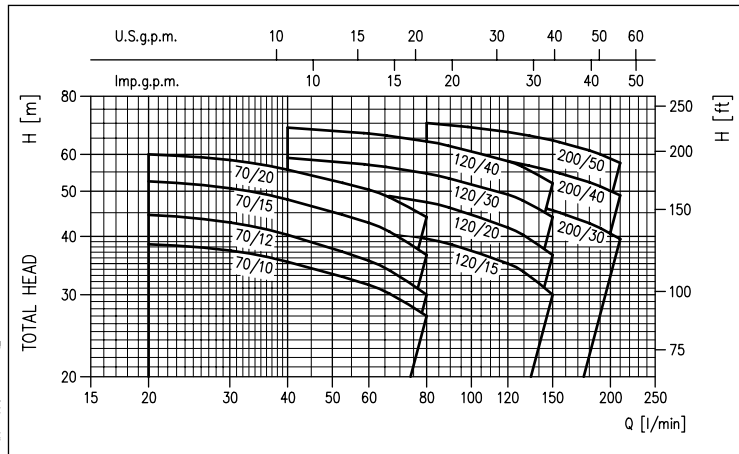
- Aluminium motor bracket (up to 1.5 kW included), in cast iron (2.2 kW and above)
- Mechanical seal in:
  - Ceramic/Carbon/NBR (standard)
  - special versions: see p. 22

### ACCESSORIES (On request)

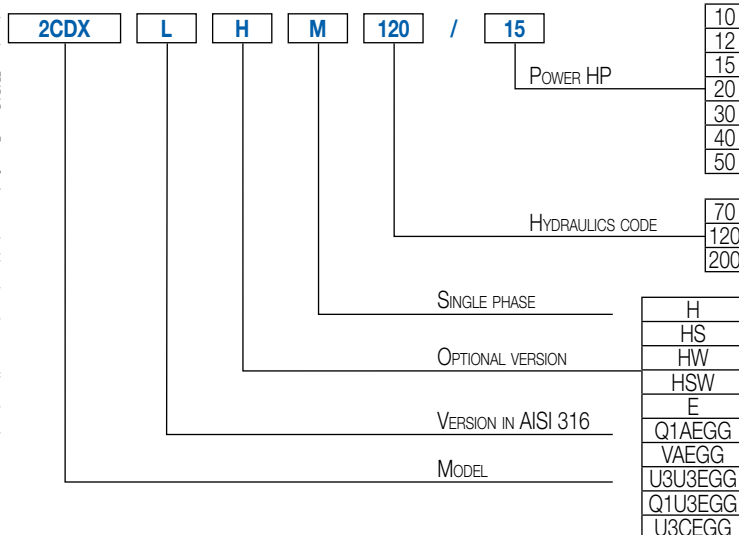
- Insulation casing for 2CDX (L) pump casing for applications with refrigerant liquids or liquids with high thermal difference that may generate condensate
- Electric panels
- Vessels
- Floats
- Pressure switches
- Presscomfort - Pressure regulator
- E-power - Variable speed control system
- E-drive - Variable speed control system



### PERFORMANCE RANGE (according to ISO 9906 Attachment A)



### IDENTIFICATION CODE



The content of this publication should not be considered mandatory. EBARA Pumps Europe S.p.A. reserves the right to change the content without prior notice.



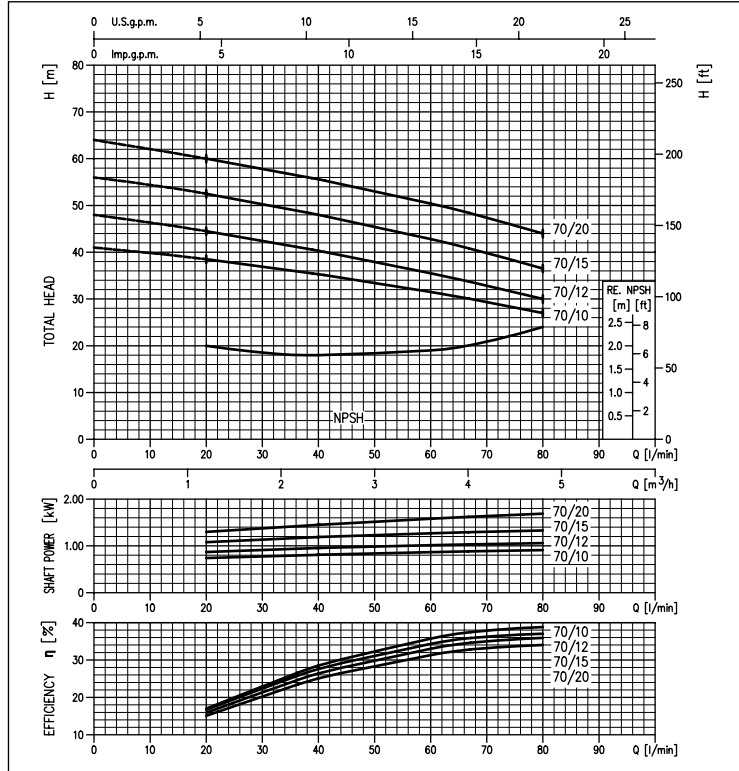
# 2CDX(L)

## DUAL IMPELLER CENTRIFUGAL ELECTRIC PUMPS

in AISI 304 and AISI 316

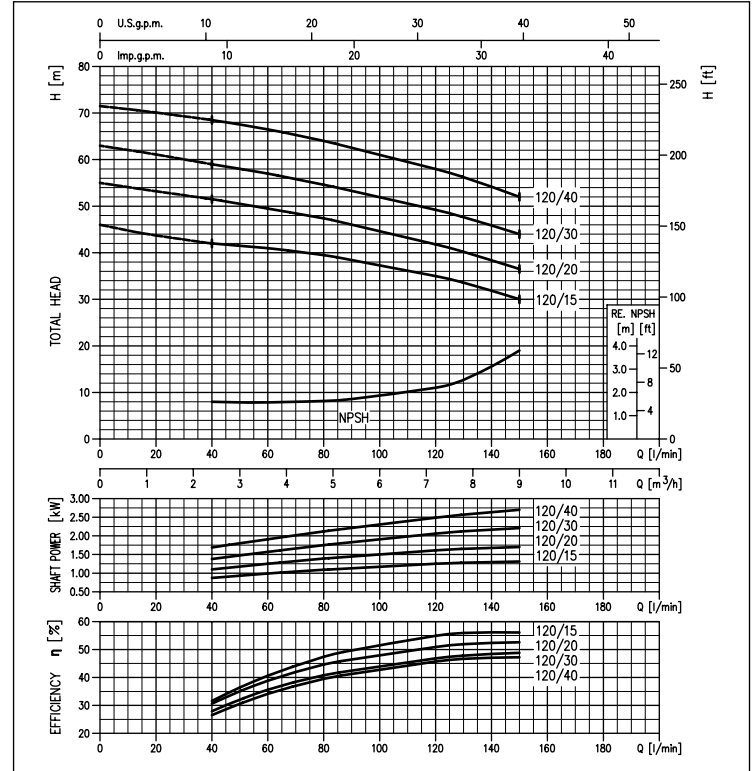
### PERFORMANCE CURVES 2CDX 70 series

(according to ISO 9906 Attachment A)



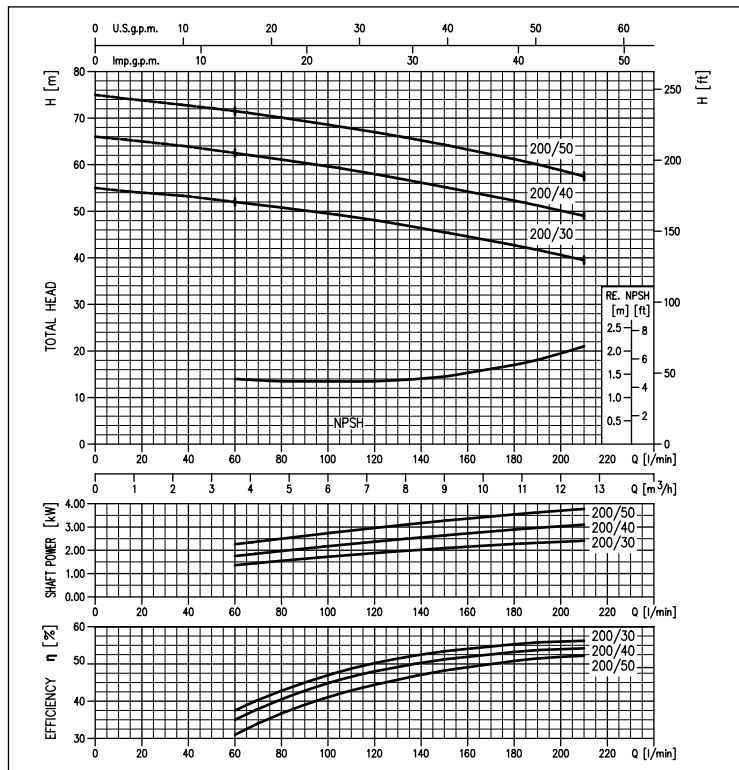
### PERFORMANCE CURVES 2CDX 120 series

(according to ISO 9906 Attachment A)



### PERFORMANCE CURVES 2CDX 200 series

(according to ISO 9906 Attachment A)



The content of this publication should not be considered mandatory. EBARA Pumps Europe S.p.A. reserves the right to change the content without prior notice.

# 2CDX(L)

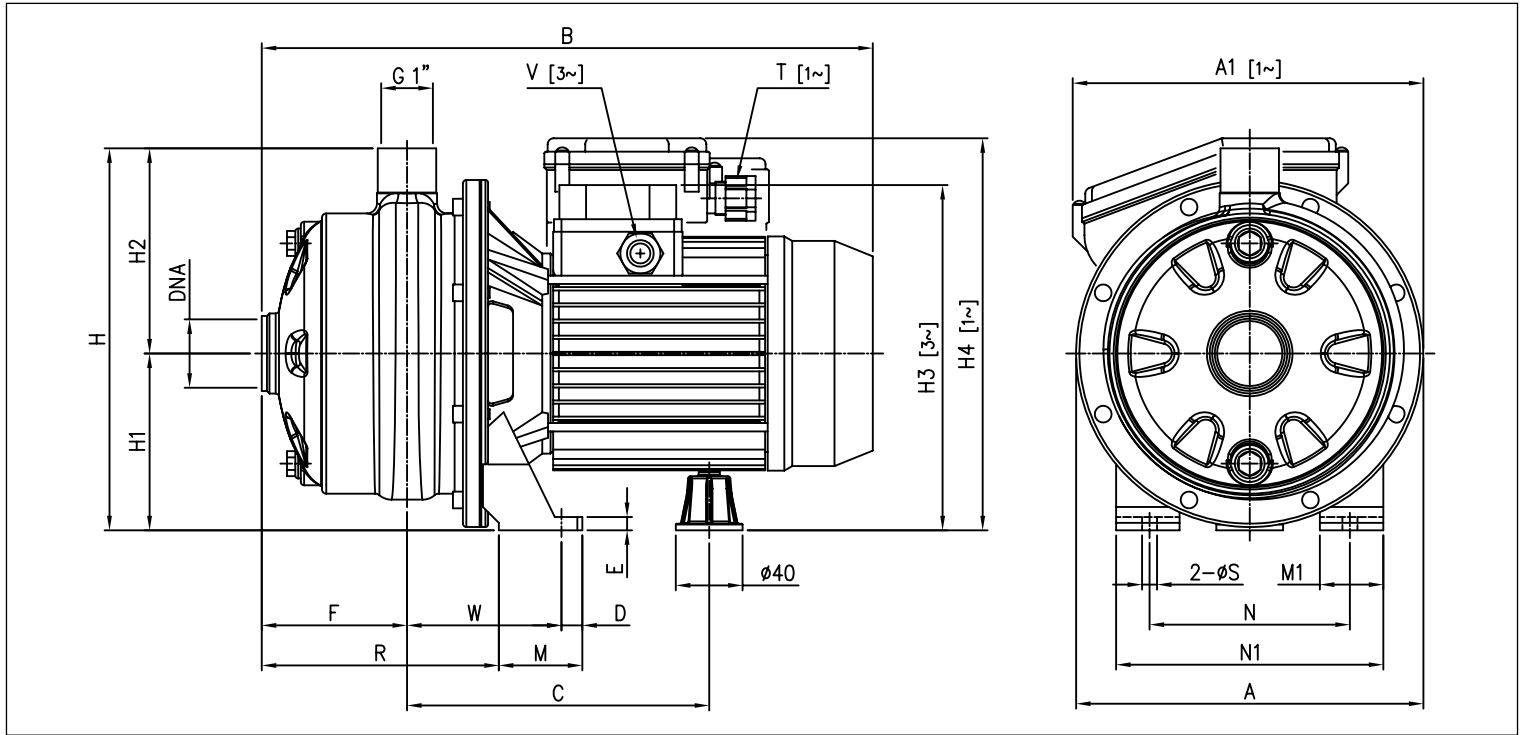
## DUAL IMPELLER CENTRIFUGAL ELECTRIC PUMPS

in AISI 304 and AISI 316

### PERFORMANCE CHART

Model		P <sub>e</sub>		Q = Flow Rate									
Single phase 230V	Three phase 230/400V	[HP]	[kW]	l/min	20	40	60	80	120	150	180	210	
				m <sup>3</sup> /h	1.2	2.4	3.6	4.8	7.2	9	10.8	12.6	
					H=Head [m]								
2CDXM 70/10	2CDX 70/10	1	0.75	38.5	35.3	31.5	27.0	-	-	-	-	-	
2CDXM 70/12	2CDX 70/12	1.2	0.9	44.5	40.3	35.5	30.0	-	-	-	-	-	
2CDXM 70/15	2CDX 70/15	1.5	1.1	52.5	48.0	42.8	36.5	-	-	-	-	-	
2CDXM 70/20	2CDX 70/20	2	1.5	60.0	55.6	50.4	44.0	-	-	-	-	-	
2CDXM 120/15	2CDX 120/15	1.5	1.1	-	42.0	41.0	39.5	35.0	30.0	-	-	-	
2CDXM 120/20	2CDX 120/20	2	1.5	-	51.5	49.5	47.4	41.8	36.5	-	-	-	
-	2CDX 120/30	3	2.2	-	59.0	57.0	54.6	49.2	44.0	-	-	-	
-	2CDX 120/40	4	3	-	68.5	66.5	64.0	58.0	52.0	-	-	-	
-	2CDX 200/30	3	2.2	-	-	52.0	50.8	48.1	45.5	42.7	39.5	-	
-	2CDX 200/40	4	3	-	-	62.5	61.1	58.0	55.2	52.3	49.0	-	
-	2CDX 200/50	5	3.7	-	-	71.5	70.1	67.0	64.3	61.2	57.5	-	

### DIMENSIONS



### DIMENSIONAL TABLE

Model	A		A1		B		C										Dimensions [mm]										Weight [kg]			
	[2]	[1]	[2]**	[1]	[2]	[1]	D	E	F	H	H1	H2	H3	H4	M	M1	N	N1	R	T	[1]	V	W	S	DNA	[2]	[1]	*		
2CDX(M) 70/10	208	-	355	354	354	354	181	12.5	8	87	229	106	123	207	207	216	50	38	120	160	142	PG 11	PG 11	M16x1.5	92.5	9	G1¼	12.7	12.6	12.6
2CDX(M) 70/12	208	210	355	366	366	366	181	12.5	8	87	229	106	123	207	207	235	50	38	120	160	142	PG 13.5	PG 11	M16x1.5	92.5	9	G1¼	13.3	13.7	13.7
2CDX(M) 70/15	232	-	395.5	382	407	407	198.5	12.5	8	89	250	118	132	237	237	248.5	55	40	140	180	141.5	PG 13.5	PG 11	M20x1.5	95	9	G1¼	17.5	17.0	17.0
2CDX(M) 70/20	232	-	382.5	395	407.5	407.5	198.5	12.5	8	89	250	118	132	237	237	248.5	55	40	140	180	141.5	PG 13.5	PG 11	M20x1.5	95	9	G1¼	18.5	19.2	20.1
2CDX(M) 120/15	208	210	395.5	382	407	407	198.5	12.5	8	89	229	106	123	225	225	236.5	55	40	140	180	141.5	PG 13.5	PG 11	M20x1.5	95	9	G1¼	16.3	15.6	15.6
2CDX(M) 120/20	208	210	382.5	395	407.5	407.5	198.5	12.5	8	89	229	106	123	225	225	236.5	55	40	140	180	141.5	PG 13.5	PG 11	M20x1.5	95	9	G1¼	17.0	17.4	18.3
2CDX 120/30	232	-	-	419	405	223.5±234.5	198.5	12.5	10	87	250	118	132	242	237	-	65	40	140	180	143.5	-	PG 13.5	M20x1.5	109	9	G1¼	-	25.2	26.1
2CDX 120/40	232	-	-	458	458	223.5±234.5	198.5	12.5	10	87	250	118	132	242	242	-	65	40	140	180	143.5	-	PG 13.5	M20x1.5	109	9	G1¼	-	27.8	27.8
2CDX 200/30	208	-	-	458	458	223.5±234.5	198.5	12.5	10	87	229	106	123	230	230	-	65	40	140	180	143.5	-	PG 13.5	M20x1.5	109	9	G1½	-	25.7	26.6
2CDX 200/40	232	-	-	458	458	223.5±234.5	198.5	12.5	10	87	250	118	132	242	242	-	65	40	140	180	143.5	-	PG 13.5	M20x1.5	109	9	G1½	-	27.6	27.6
2CDX 200/50	232	-	-	481	481	232.5	198.5	16	12	87	250	118	132	259	259	-	68	50	160	210	143.5	-	PG 16	M20x1.5	108.5	12	G1½	-	35.6	35.6

\* Models with IE3 motor only

\*\* Value specified only if greater than "A"

\*\*\* 2CDX 120/30 = 198.5 mm for IE3 version

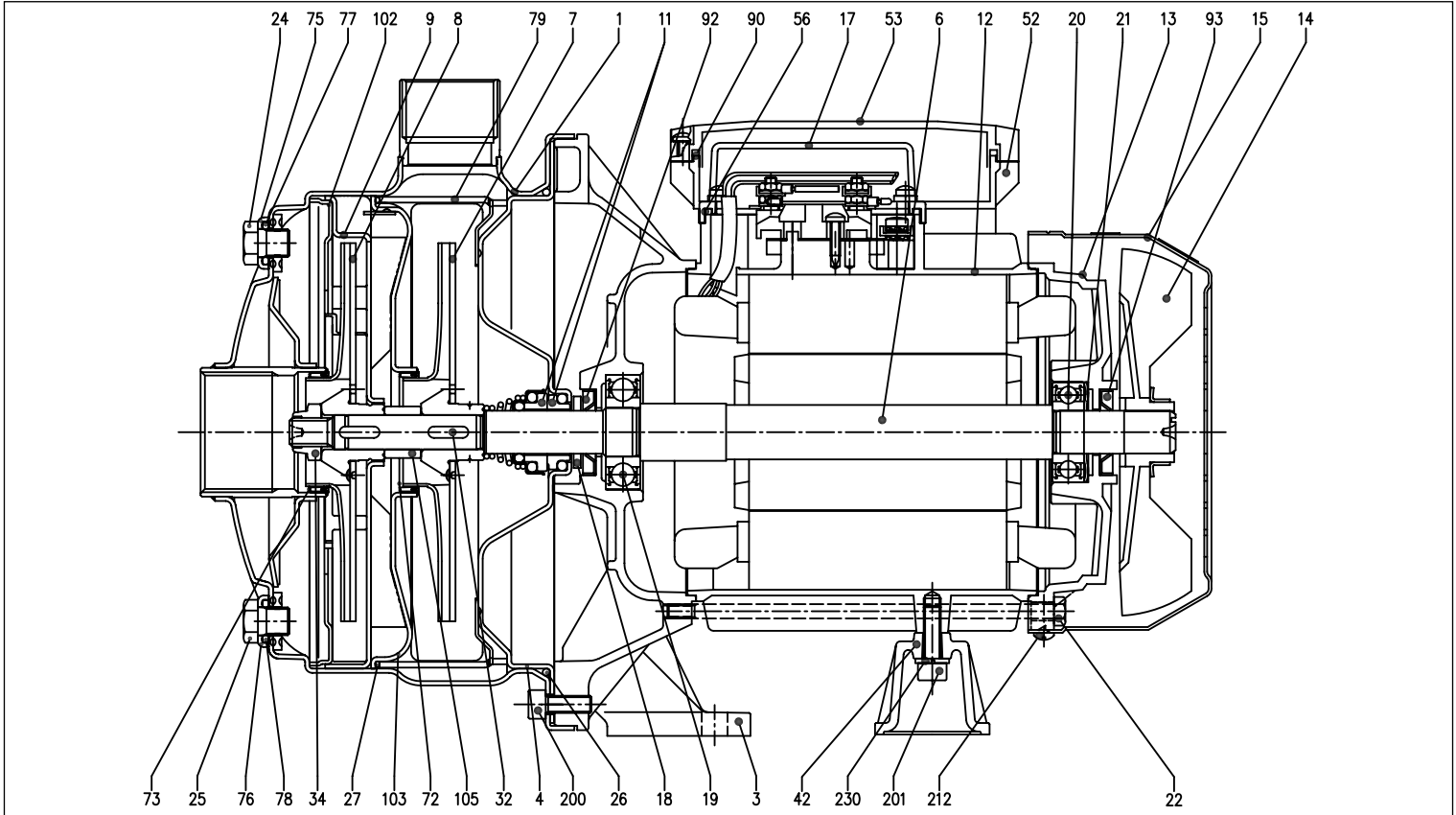
[1]= Three phase only [2]= Single phase only

# 2CDX(L)

## DUAL IMPELLER CENTRIFUGAL ELECTRIC PUMPS

in AISI 304 and AISI 316

### SECTIONAL VIEW



### MATERIALS TABLE

Ref.	Name	Materials	Ref.	Name	Materials
1	Pump casing	EN 1.4301 (AISI 304) / AISI 316	32	Key	AISI 316
3	Motor bracket	Aluminium (up to 1.5 kW included) Cast iron (from 2.2 kW and above)	34	Impeller nut	Stainless Steel A2-70 / AISI 316
4	Casing cover	EN 1.4301 (AISI 304) / AISI 316	42	Motor support	Aluminium
6	Shaft	EN 1.4301 (AISI 304) / AISI 316 Part in contact with the liquid	52	Terminal Box [2]	ABS
7	Impeller	EN 1.4301 (AISI 304)	53	Terminal Box cover [2]	ABS
8	Impeller	EN 1.4301 (AISI 304)	56	Terminal box cover gasket	NBR
9	Diffuser	EN 1.4301 (AISI 304)	72	Casing ring [4]	NBR
11	Mechanical seal	Ceramic/Carbon/NBR	73	Casing ring [4]	NBR
12	Motor frame	-	75	Washer	EN 1.4301 (AISI 304) / AISI 316
13	Motor cover	Aluminium	76	Washer	EN 1.4301 (AISI 304) / AISI 316
14	Fan	PA	77	O-Ring [3]	NBR
15	Fan cover	Galvanised Fe P04	78	O-Ring [3]	NBR
17	Terminal Box cover [1]	Aluminium	79	Diffuser spacer	EN 1.4301 (AISI 304)
18	Splash ring	NBR	90	Gasket [2]	NBR
19	Bearing (pump side)	-	92	Seal ring	NBR
20	Bearing (motor side)	-	93	Seal ring	NBR
21	Adjustment ring	Steel C70	102	Diffuser cover	EN 1.4301 (AISI 304)
22	Tie-rod	Galvanised Fe 42	103	Conveyor cover	EN 1.4301 (AISI 304)
24	Plug	EN 1.4301 (AISI 304) / AISI 316	105	Impeller spacer	EN 1.4301 (AISI 304)
25	Plug	EN 1.4301 (AISI 304) / AISI 316	200	Screw (pump body)	Stainless Steel A2-70
26	O-Ring [3]	NBR	201	Screw	Zn. steel cl.8.8
27	O-Ring [3]	NBR	212	Screw	Stainless Steel A2
			230	Washer	Steel C70

[1]= Three-phase only

[2]= Single phase only

[3]= FKM for 2CDX(L)H, 2CDX(L)HS, 2CDX(L)HW, 2CDX(L)HSW

EPDM for 2CDX(L)E, 2CDX(L)Q1AEGG, 2CDX(L)VAEGG, 2CDX(L)U3U3EGG, 2CDX(L)Q1U3EGG, 2CDX(L)U3CEGG

[4]= FKM for 2CDX(L)H, 2CDX(L)HS, 2CDX(L)HW, 2CDX(L)HSW

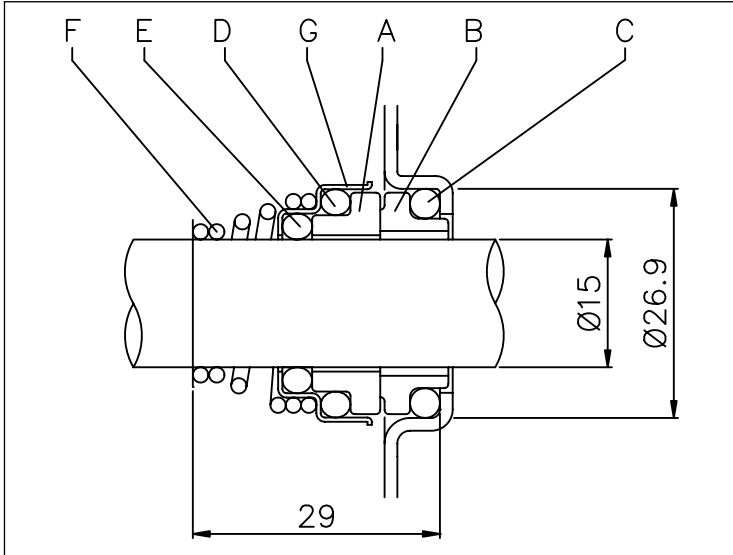
NBR for 2CDX(L)E, 2CDX(L)Q1AEGG, 2CDX(L)VAEGG, 2CDX(L)U3U3EGG, 2CDX(L)Q1U3EGG, 2CDX(L)U3CEGG

# 2CDX(L)

## DUAL IMPELLER CENTRIFUGAL ELECTRIC PUMPS

in AISI 304 and AISI 316

### MECHANICAL SEAL 2CDX(L) standard



### MATERIALS TABLE

Ref.	Name	Materials
A	Rotating part	Ceramic
B	Fixed part	Carbon
C	O-Ring	NBR
D	O-Ring	NBR
E	O-Ring	NBR
F	Spring	AISI 316
G	Structure/frame	AISI 304

### SPECIAL MECHANICAL SEALS (on request)

Ref.	Name	Materials				
		H Version	HS Version	HW Version	HSW Version	E Version
A	Rotating part	Ceramic	Silicon Carbide	Tungsten Carbide	Silicon Carbide	Ceramic
B	Fixed part	Carbon	Silicon Carbide	Tungsten Carbide	Tungsten Carbide	Carbon
C	O-Ring	FKM	FKM	FKM	FKM	EPDM
D	O-Ring	FKM	FKM	FKM	FKM	EPDM
E	O-Ring	FKM	FKM	FKM	FKM	EPDM
F	Spring	AISI 316	AISI 316	AISI 316	AISI 316	AISI 316
G	Structure/frame	AISI 304	AISI 316	AISI 316	AISI 316	AISI 316

Ref.	Name	Materials				
		Q1AEGG Version	VAEGG Version	U3U3EGG Version	Q1U3EGG Version	U3CEGG Version
A	Rotating part	Silicon Carbide	Ceramic	Tungsten Carbide	Silicon Carbide	Tungsten Carbide
B	Fixed part	Metallised carbon	Metallised carbon	Tungsten Carbide	Tungsten Carbide	Special Carbon
C	O-Ring	EPDM	EPDM	EPDM	EPDM	EPDM
D	O-Ring	EPDM	EPDM	EPDM	EPDM	EPDM
E	O-Ring	EPDM	EPDM	EPDM	EPDM	EPDM
F	Spring	AISI 316	AISI 316	AISI 316	AISI 316	AISI 316
G	Structure/frame	AISI 316	AISI 316	AISI 316	AISI 316	AISI 316

The content of this publication should not be considered mandatory. EBARA Pumps Europe S.p.A. reserves the right to change the content without prior notice.

# 2CDX(L)

## DUAL IMPELLER CENTRIFUGAL ELECTRIC PUMPS

in AISI 304 and AISI 316

### ELECTRIC DATA TABLE

Model	Single phase 230V	Three phase 230/400V	P <sub>2</sub>		Efficiency		Capacitor		Efficiency (%)			P <sub>1</sub>		Absorbed Current [A]		
			[HP]	[kW]	Single phase	Three phase	Single phase μF	V.	Three phase			Single phase [kW]	Three phase [kW]	Single phase 230V	Three phase	
									50%	75%	100%				230V	230V
2CDXM 70/10	-	2CDX 70/10	1	0.75	-	IE2	20	450	77.2	80.9	81.3	1.30	1.14	6.0	3.6	2.0
-	-	-	1	0.75	-	IE3	-	-	80.9	82.3	82.1	-	0.91	-	3.0	1.7
2CDXM 70/12	-	2CDX 70/12	1.2	0.9	-	IE2	31.5	450	79.0	81.7	81.6	1.55	1.35	7.0	4.3	2.5
-	-	-	1.2	0.9	-	IE3	-	-	81.7	83.1	82.4	-	1.34	-	4.3	2.5
2CDXM 70/15	-	2CDX 70/15	1.5	1.1	-	IE2	40	450	79.7	82.5	83.0	1.80	1.80	8.1	5.6	3.2
-	-	-	1.5	1.1	-	IE3	-	-	83.0	85.8	85.6	-	1.77	-	5.8	3.3
2CDXM 70/20	-	2CDX 70/20	2	1.5	-	IE2	40	450	80.3	83.4	83.8	2.30	2.28	10.0	7.4	4.3
-	-	-	2	1.5	-	IE3	-	-	84.2	86.8	86.9	-	2.01	-	7.1	4.1
2CDXM 120/15	-	2CDX 120/15	1.5	1.1	-	IE2	40	450	79.7	82.5	83.0	1.80	1.80	8.3	5.6	3.2
-	-	-	1.5	1.1	-	IE3	-	-	83.0	85.8	85.6	-	1.77	-	5.8	3.3
2CDXM 120/20	-	2CDX 120/20	2	1.5	-	IE2	40	450	80.3	83.4	83.8	2.35	2.28	10.2	7.3	4.2
-	-	-	2	1.5	-	IE3	-	-	84.2	86.8	86.9	-	2.01	-	7.1	4.1
-	-	2CDX 120/30	3	2.2	-	IE2	-	-	83.1	85.7	86.2	-	2.90	-	8.8	5.1
-	-	-	3	2.2	-	IE3	-	-	86.2	87.0	86.0	-	2.55	-	8.2	4.7
-	-	2CDX 120/40	4	3	-	IE2	-	-	85.0	86.7	86.3	-	3.48	-	10.6	6.1
-	-	-	4	3	-	IE3	-	-	85.9	87.5	87.1	-	3.44	-	11.1	6.4
-	-	2CDX 200/30	3	2.2	-	IE2	-	-	85.0	86.7	86.3	-	3.48	-	10.6	6.1
-	-	-	3	2.2	-	IE3	-	-	85.9	87.5	87.1	-	3.44	-	11.1	6.4
-	-	2CDX 200/40	4	3	-	IE2	-	-	85.0	86.7	86.3	-	3.83	-	11.6	6.7
-	-	-	4	3	-	IE3	-	-	85.9	87.5	87.1	-	3.44	-	11.1	6.4
-	-	2CDX 200/50	5	3.7	-	IE2	-	-	84.3	87.2	87.8	-	4.56	-	15.1	8.7
-	-	-	5	3.7	-	IE3	-	-	85.8	88.3	88.4	-	4.52	-	15.1	8.7

### NOISE DATA TABLE

Model	Single phase 230V	Three phase 230/400V	P <sub>2</sub>		L <sub>wa</sub> - dB(A)*
			[HP]	[kW]	
2CDXM 70/10	-	2CDX 70/10	1	0.75	62
2CDXM 70/12	-	2CDX 70/12	1.2	0.9	
2CDXM 70/15	-	2CDX 70/15	1.5	1.1	64
2CDXM 70/20	-	2CDX 70/20	2	1.5	
2CDXM 120/15	-	2CDX 120/15	1.5	1.1	64
2CDXM 120/20	-	2CDX 120/20	2	1.5	
-	-	2CDX 120/30	3	2.2	68
-	-	2CDX 120/40	4	3	
-	-	2CDX 200/30	3	2.2	68
-	-	2CDX 200/40	4	3	
-	-	2CDX 200/50	5	3.7	

\* Mean value of several measurements at 1 m distance around the pump.  
Tolerance ± 2.5 dB.

Insulation casing



For applications with refrigerant liquids or liquids with high thermal difference that may generate condensate

DYSTRYBUTOR  
Valmark Sp. z o.o.  
tel: (22) 868 58 58  
mail: biuro@valmark.pl